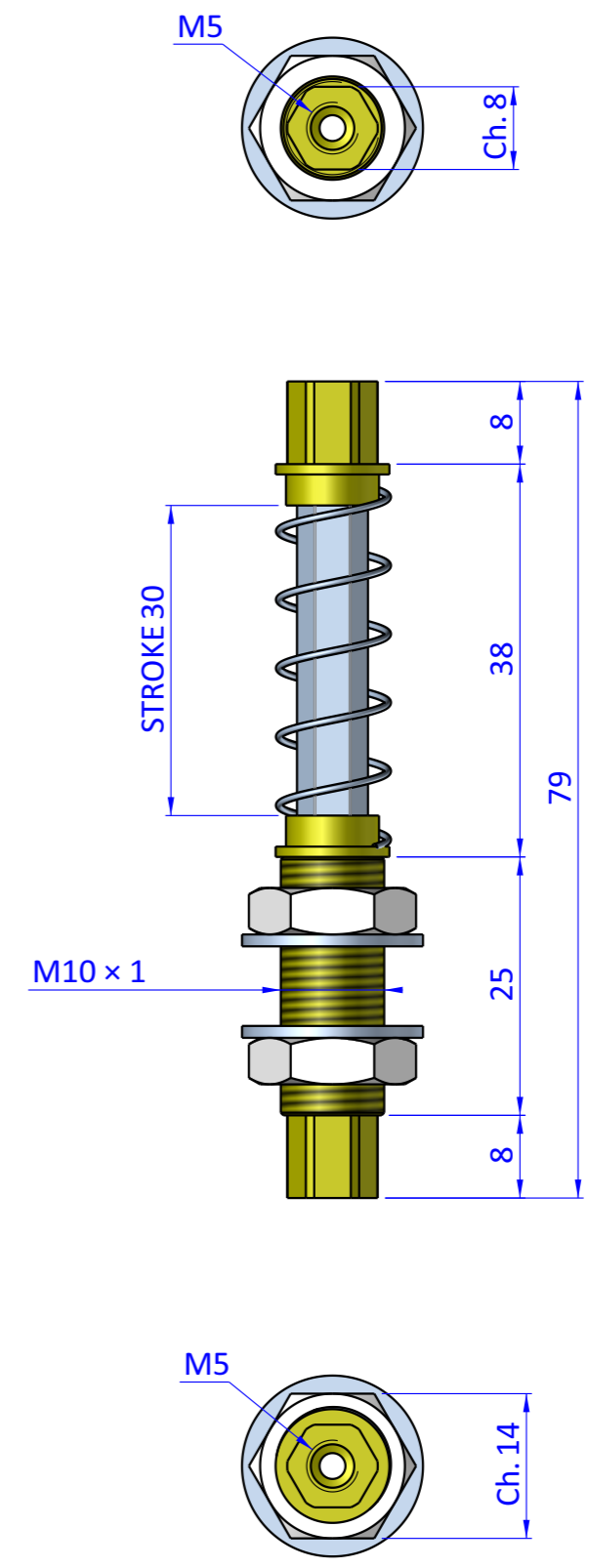
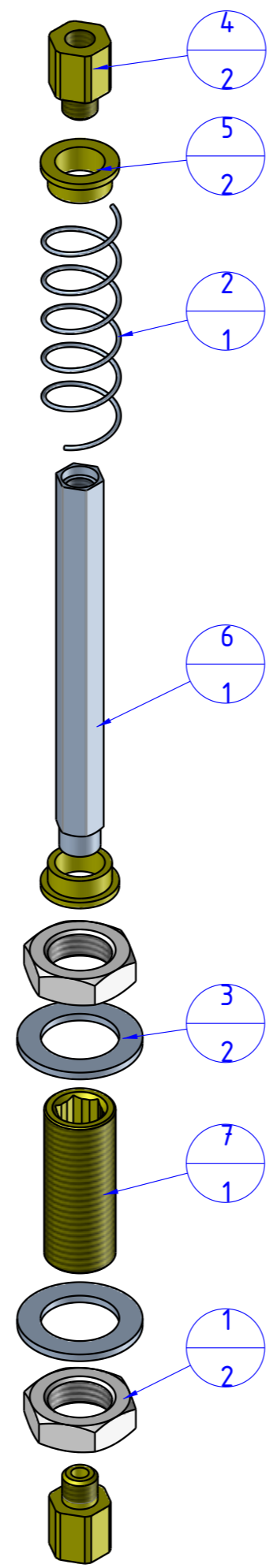



THE PROPERTY OF THE DRAWING IS ESTABLISHED BY LAW. IT IS FORBIDDEN TO PRODUCE OR SHOW IT TO THIRD PART. WITHOUT A WRITTEN AGREEMENT.

Item	Name	Q.ty
1	05.01.005.06	2
2	M.10.5x48B	1
3	R.10.SCH	2
4	SAE.10050510.1	2
5	SAE.10050510.4	2
6	SAE.10050530.1	1
7	SAEG.10050510.3	1



Format A3
UNI 936-76

 FPS FPSERVICES AUTOMATION		DESIGNED FROM		REVIEW
		FPS Automation		A
GENERAL TOLERANCE		DATE	WEIGHT	
UNI - ISO 2768		31/03/2022	0,033kg	
CLASSE f		CODE	CA.SAEG.10050530	
		DESCRIPTION		
		CA.SAEG.10050510		